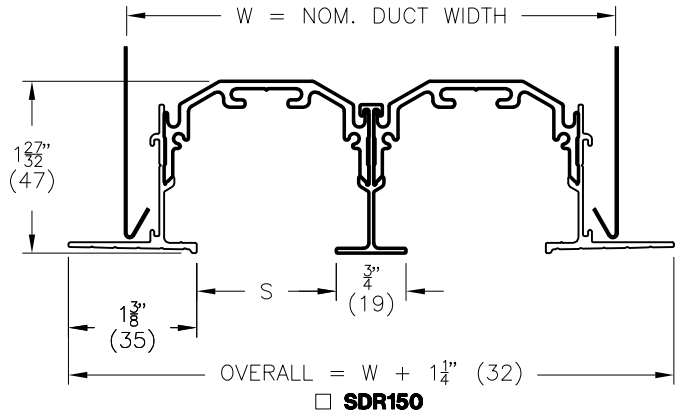
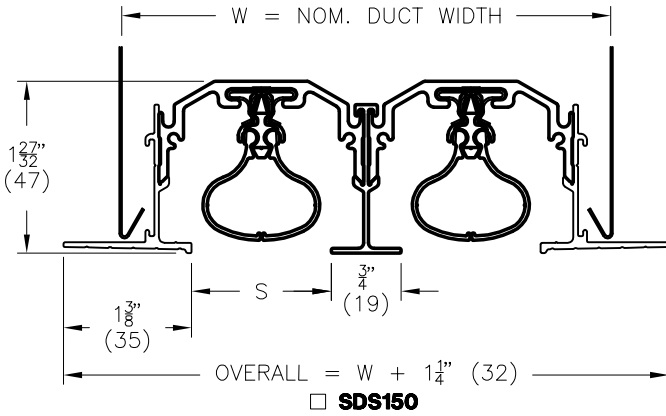
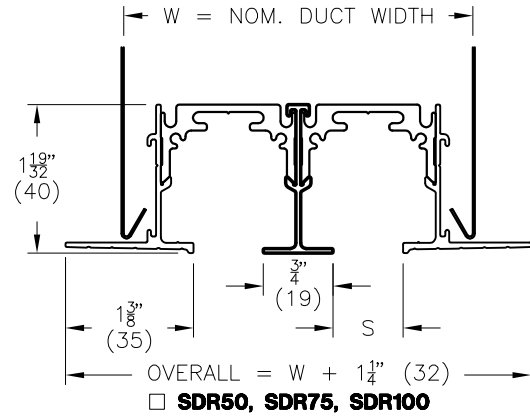
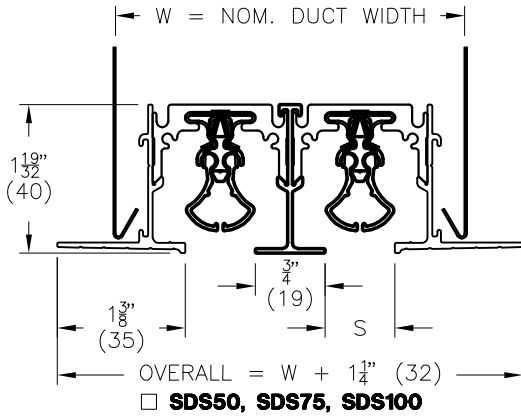


**SDS / SDR LINEAR SLOT DIFFUSER - TYPE 8, 8A
CONCEALED PLASTER FRAME APPLICATION**



FINISH:

- PATTERN CONTROLLERS - B17 BLACK
- OUTER FRAMES - MILL FINISH
- CENTER TEE - B12 WHITE (OPTIONAL FINISHES AVAILABLE)

MATERIAL:

- EXTRUDED ALUMINUM FRAME
- EXTRUDED ALUMINUM PATTERN CONTROLLERS ON MODELS SDS50, SDS150
- ROLLFORMED STEEL OR EXTRUDED ALUMINUM PATTERN CONTROLLERS ON SDS75, SDS100

NOTE:

- MINIMUM LENGTH 8" (203)
- MAXIMUM SECTION LENGTH 72" (1829)
- UNITS 6 SLOT AND LARGER SUPPLIED WITH 1" (25) REINFORCING ANGLES ATTACHED TO DIFFUSER
- 180° AIR PATTERN ADJUSTMENT AVAILABLE
- TAPING AND PLASTER FINISHING BY OTHERS
- SEE INSTALLATION INSTRUCTION I100044
- USE WITH TYPE 2 SDB / SDA PLENUM, OR UP / UPL
- FACTORY TOLERANCE ± 1/32" (1)

MODELS:

- | | |
|------------------------|------------------------|
| SUPPLY DIFFUSERS: | RETURNS: |
| □ SDS50 - 1/2" SLOT | □ SDR50 - 1/2" SLOT |
| □ SDS75 - 3/4" SLOT | □ SDR75 - 3/4" SLOT |
| □ SDS100 - 1" SLOT | □ SDR100 - 1" SLOT |
| □ SDS150 - 1 1/2" SLOT | □ SDR150 - 1 1/2" SLOT |

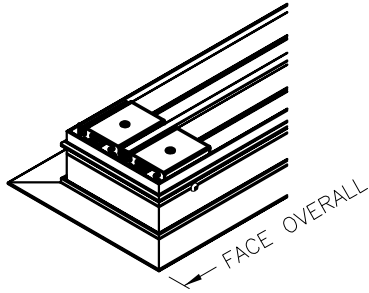
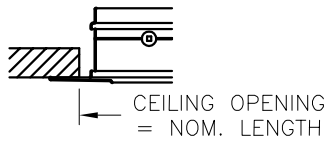
ALL METRIC DIMENSIONS () ARE SOFT CONVERTED. IMPERIAL DIMENSIONS ARE CONVERTED TO METRIC AND ROUNDED TO THE NEAREST MILLIMETER.

PROJECT:		PRICE [®]	
ENGINEER:		<i>MJ</i>	SDS / SDR TYPE 8, 8A SURFACE MOUNTED LINEAR DIFFUSER CONCEALED PLASTER FRAME
CUSTOMER:		250099	
SUBMITTAL DATE:	SPEC. SYMBOL:	2013/08/30	

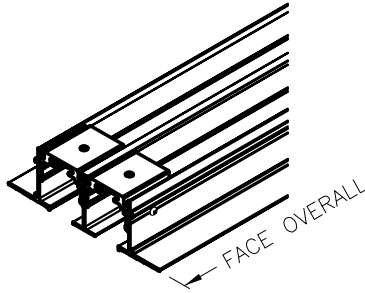
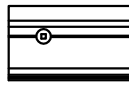
**SDS / SDR LINEAR SLOT DIFFUSER - TYPE 8, 8A
CONCEALED PLASTER FRAME APPLICATION**

END CONDITIONS:

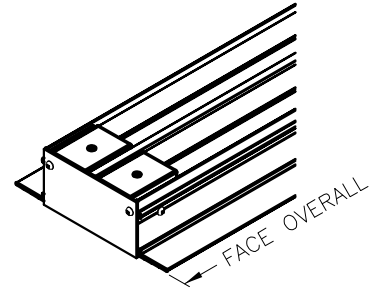
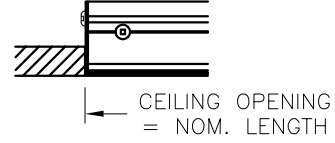
X - MITRED END



Y - OPEN END
FOR SPLICING TOGETHER
MULTIPLE SECTIONS



Z - FLUSH END CAP

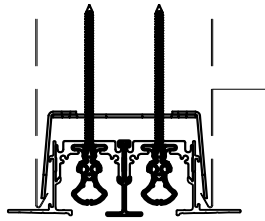


SCREWHEADS EXTEND 1/8" (3) BEYOND
OPENING DIMENSION ON Z ENDS

END CONDITION	FACE OVERALL LENGTH
X-X	NOM. LENGTH + 1 1/4" (32)
X-Y	NOM. LENGTH + 5/8" (16)
Y-Y	NOM. LENGTH
Y-Z	NOM. LENGTH
Z-Z	NOM. LENGTH

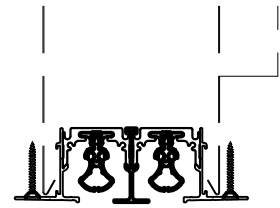
MOUNTING:

TYPE 8

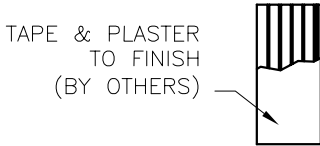


CONCEALED MOUNTING BRACKETS

TYPE 8A



COUNTERSUNK SCREW HOLES
FOR DRYWALL SCREWS (BY OTHERS)



SLOTS	W			
	SDS50	SDS75	SDS100	SDS150
1	2" (51)	2 1/4" (57)	2 1/2" (64)	3" (76)
2	3 1/4" (83)	3 3/4" (95)	4 1/4" (108)	5 1/4" (133)
3	4 1/2" (114)	5 1/4" (133)	6" (152)	7 1/2" (191)
4	5 3/4" (146)	6 3/4" (171)	7 3/4" (197)	9 3/4" (248)
5	7" (178)	8 1/4" (210)	9 1/2" (241)	12" (305)
6	8 1/4" (210)	9 3/4" (248)	11 1/4" (286)	14 1/4" (362)
7	9 1/2" (241)	11 1/4" (286)	13" (330)	16 1/2" (419)
8	10 3/4" (273)	12 3/4" (324)	14 3/4" (375)	18 3/4" (476)
9	12" (305)	14 1/4" (362)	16 1/2" (419)	21" (533)
10	13 1/4" (337)	15 3/4" (400)	18 1/4" (464)	23 1/4" (591)

ALL METRIC DIMENSIONS () ARE SOFT CONVERTED. IMPERIAL DIMENSIONS ARE CONVERTED TO METRIC AND ROUNDED TO THE NEAREST MILLIMETER.

PROJECT:		PRICE [®]
ENGINEER:		
CUSTOMER:		<i>MJ</i>
SUBMITTAL DATE:		250099
SPEC. SYMBOL:		2013/08/30
SDS / SDR TYPE 8, 8A SURFACE MOUNTED LINEAR DIFFUSER CONCEALED PLASTER FRAME		